

AMC720 / AMC720C – PrAMC based on Intel Xeon E3-1125, PCIe

PrAMC, PCIe



AMC720



AMC720C

KEY FEATURES

- Intel® Xeon™ E3 processor
- Conduction cooled version available
- Single module, mid-size per AMC.0
- PCIe Gen2 (Gen3 on v2 option) x4 on ports 4-7 and 8-11 or single PCIe x8 on ports 4-11 (AMC.1)
- GbE to port 0 and 1 (AMC.2) and SATA to port 2 and 3 (AMC.3)
- Dual GbE to the front panel
- Up to 16 GB of DDR3 w/ ECC and 32 GB Flash
- Option for 32 GB SATA drive
- Serial over LAN
- IPMI 2.0 compliant

AdvancedMC™

Benefits of Choosing VadaTech

- Quad core Xeon for data processing with dual GbE ports
- Optional SSD for local storage
- Flexible boot options
- Strong mil/aero support
- Electrical, mechanical, software, and system-level expertise in house
- Full system supply from industry leader
- AS9100 and ISO9001 certified company

The AMC720 is a flexible processor AMC for general purpose processing. The AMC720 has quad-core Xeon and Linux support, it can act as system host and data processing engine. The dual front-panel GbE ports provide simple network connectivity, so while the unit is designed for embedded processing (i.e. typically without a monitor), it is straightforward to use with a virtual desktop on a remote PC/laptop for development and setup.

The AMC can be used in MicroTCA chassis from 2 to 12 slot, where virtual domain configurations can support multi-host implementations. The PCIe Gen3 option on the v2 processor allows the AMC to be used with the latest interface modules.

The BIOS allows booting from on-board Flash, on- or off-board SATA, PXE boot, and USB, providing flexibility in deployment model used.

The AMC720 is available in both air-cooled (MTCA.0 and MTCA.1) and rugged conduction-cooled (MTCA.2 or MTCA.3) versions.

AMC720

BLOCK DIAGRAM

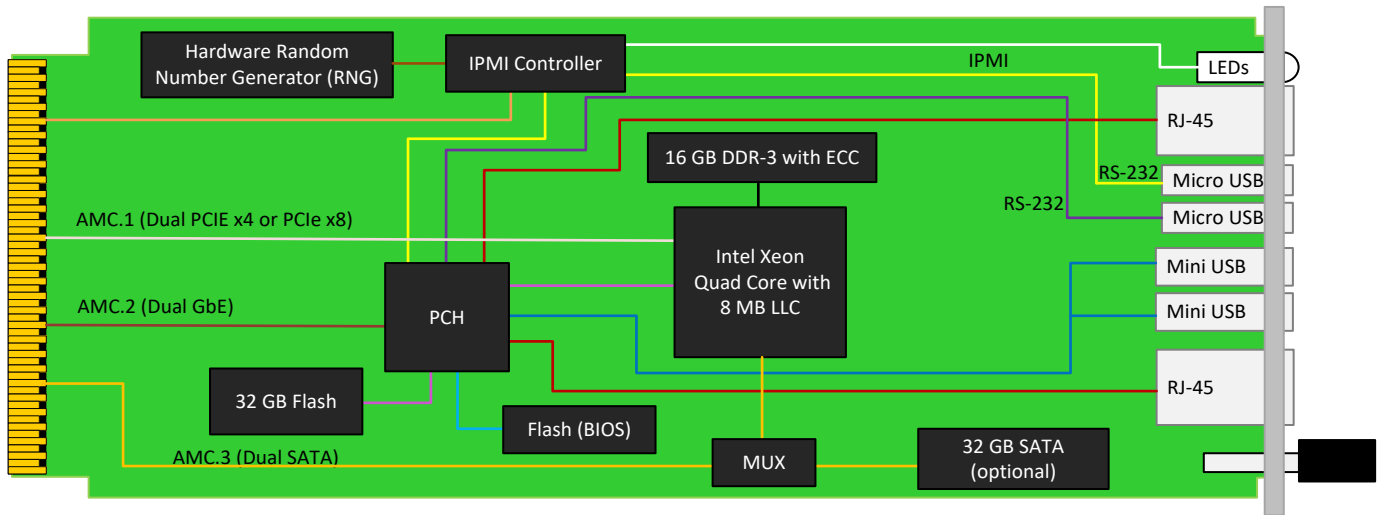


Figure 1: AMC720 Functional Block Diagram

FRONT PANEL

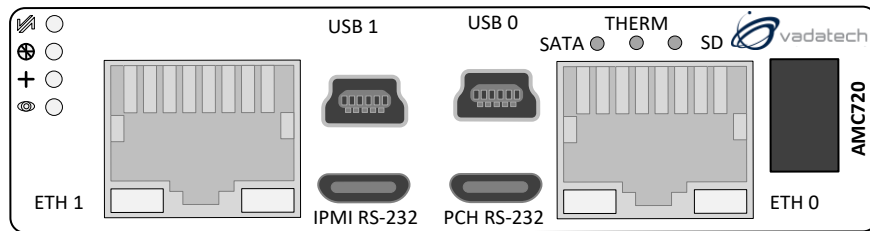


Figure 2: AMC720 Front Panel



Figure 3: Front Panel with Single Latching Flange (Optional)

AMC720C

VadaTech offers the AMC720 in a rugged clamshell variant, available as either MTCA.3 (conduction cooled) or MTCA.2 (hybrid cooled, forced air and conduction). For these versions of the module the ground planes are extended into the wedge lock region of the clamshell to enhance thermal transfer. Such units are typically used in ATR style chassis such as the VT87x series.

Note that for clamshell-encased variants the front panel connectors differ slightly from the standard product described in this datasheet – contact VadaTech sales for details and for specific product order codes.

BLOCK DIAGRAM

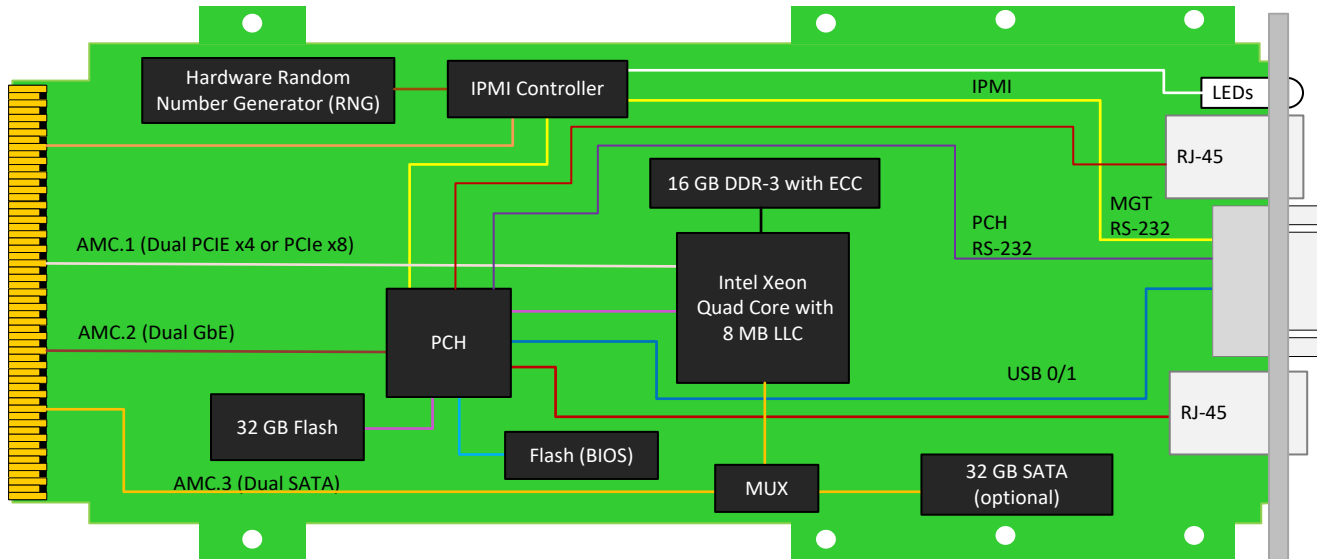


Figure 4: AMC720C Block Diagram

FRONT PANEL

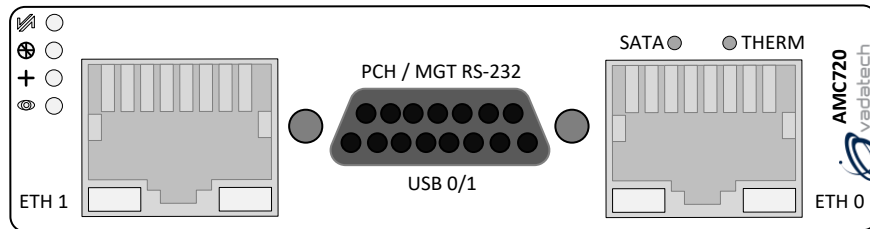


Figure 5: AMC720C Front Panel

SPECIFICATIONS

Architecture		
Physical	Dimensions	Single module, mid-size (full-size optional)
		Width: 2.89" (73.5 mm)
		Depth 7.11" (180.6 mm)
Type	AMC Processor	Intel® Xeon™ with up to four core at 2.0 GHz and 8 MB LLC
Standards		
AMC	Type	AMC.0, AMC.1, AMC.2 and/or AMC.3
Module Management	IPMI	IPMI version 2.0
PCIe	Lanes	Dual x4 or single x8 as PCIe
Configuration		
Power	AMC720	18W to 48W (CPU dependant)
Environmental	Temperature	Operating temperature: -5° to 45° C (55°C for limited time, performance restrictions may apply), industrial versions also available (See environmental spec sheet) Storage Temperature: -40° to +85°C
	Vibration	Operating 9.8 m/s ² (1G), 5 to 500Hz on each axis
	Shock	Operating 325G / 2 ms, 160G / 1 ms
	Relative Humidity	5 to 95 per cent, non-condensing
	Interface Connectors	Dual GbE via RJ-45 Dual USB via mini USB Dual RS-232 via microUSB
Front Panel	LEDs	IPMI management control Activity / Link user LEDs
	Mechanical	Hot swap ejector handle (AMC720); wedgelocks (AMC720C)
Software Support	Operating System	Linux (consult factory for VxWorks, Windows, or other options)
Conformal Coating		Humiseal 1A33 Polyurethane (Optional)
		Humiseal 1B31 Acrylic (Optional)
Other		
MTBF	MIL Hand book 217-F@ TBD hrs	
Certifications	Designed to meet FCC, CE and UL certifications, where applicable	
Standards	VadaTech is certified to both the ISO9001:2000 and AS9100B:2004 standards	
Warranty	Two (2) years	

INTEGRATION SERVICES AND APPLICATION-READY PLATFORMS

VadaTech has a full ecosystem of ATCA and μ TCA products including chassis platforms, shelf managers, AMC modules, Switch and Payload Boards, Rear Transition Modules (RTM), Power Modules, and more. The company also offers integration services as well as pre-configured Application-Ready Platforms. Please contact VadaTech Sales for more information.

Trademarks and Disclaimer

The VadaTech logo is a registered trademark of VadaTech, Inc. Other registered trademarks are the property of their respective owners. AdvancedTCA™ and the AdvancedMC™ logo are trademarks of the PCI Industrial Computers Manufacturers Group. All rights reserved. Specification subject to change without notice.

ORDERING OPTIONS

COMMON CONFIGURATIONS

AMC720 – ABC – DE0 – 0HJ

AMC720-1xx-300-000
AMC720-722-300-000

A = CPU Core, Speed, Cache

- 1 = 4C, 2 GHz, 8 MB LLC (Xeon E3-1125)
- 2 = Reserved
- 3 = Reserved
- 4 = Reserved
- 5 = Reserved
- 6 = Reserved
- 7 = 4C, 2.5 GHz, 8 MB LLC (Xeon E3 1125 v2)

B = DDR3 ECC Memory

- 0 = 4 GB
- 1 = 8 GB
- 2 = 16 GB

C = Front Panel Size

- 0 = Reserved
- 1 = Reserved
- 2 = Mid-size
- 3 = Full-size
- 4 = Mid-size, SLF*, single screw

D = Flash Memory

- 0 = None
- 1 = Reserved
- 2 = Reserved
- 3 = 32 GB**

E = SATA Drive

- 0 = No drive
- 1 = 32 GB SATA
- 2 = 64 GB SATA

H = Temperature Range

- 0 = Commercial (-5 to +55° C)
- 1 = Industrial (-20 to +70° C)

J = Conformal Coating

- 0 = None
- 1 = Humiseal 1A33 Polyurethane
- 2 = Humiseal 1B31 Acrylic

The VadaTech SLF (Single Latching Flange) design provides one latching flange and screw on the left side of the AMC front panel – the opposite side of the standard AMC latching handle.

** VadaTech reserves the right to supply larger capacity unless specifically stated otherwise on the Purchase Order.

AMC720C – ABC – D00 – 0HJ

A = CPU Core, Speed, Cache

- 1 = 4C, 2 GHz, 8 MB LLC (Xeon E3-1125)
- 2 = Reserved
- 3 = Reserved
- 4 = Reserved
- 5 = Reserved
- 6 = Reserved
- 7 = 4C, 2.5 GHz, 8 MB LLC (Xeon E3 1125 v2)

B = DDR3 ECC Memory

- 0 = 4 GB
- 1 = 8 GB
- 2 = 16 GB

C = Ruggedization Level*

- 0 = None
- 1 = Contact Vadatech
- 2 = Contact Vadatech
- 3 = Contact Vadatech

D = SATA Drive

- 0 = None
- 1 = Reserved
- 2 = Reserved
- 3 = 32 GB**

H = Temperature Range ***

- 0 = Commercial (-5 to +55° C)
- 1 = Industrial (-20 to +70° C)

J = Conformal Coating

- 0 = None
- 1 = Humiseal 1A33 Polyurethane
- 2 = Humiseal 1B31 Acrylic

* Ruggedization level is per the uTCA.2 and uTCA.3 specifications

** VadaTech reserves the right to supply larger capacity unless specifically stated otherwise on the Purchase Order.

*** Edge of module

RELATED PRODUCTS



**VT811 MicroTCA.4
Chassis**



**AMC520 MicroTCA.4
A/D Converter**



**VT872 1/2 ATR Short, 6 AMC
Conduction Cooled Chassis**

CONTACT US

VadaTech Corporate Office

198 N. Gibson Road,
Henderson, NV 89014
Email: info@vadatech.com
Telephone: +1 702 896-3337
Fax: +1 702 896-0332

Asia Pacific Sales Office

7 Floor, No. 2, Wenhui Street, Neihu District,
Taipei 114, Taiwan
Email: info@vadatech.com
Telephone: +886-2-2627-7655
Fax: +886-2-2627-7792

VadaTech European Sales Office

VadaTech House, Bulls Copse Road,
Southampton, SO40 9LR
Email: info@vadatech.com
Telephone: +44 2380 016403